

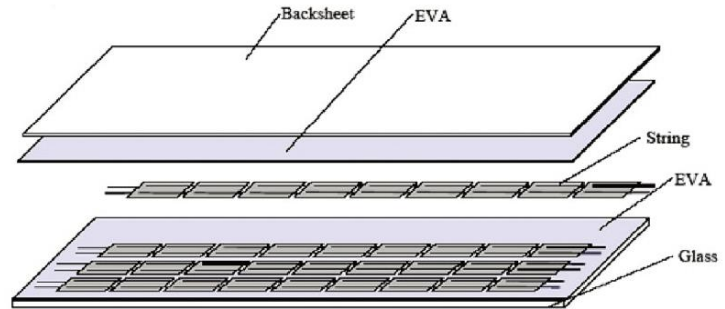
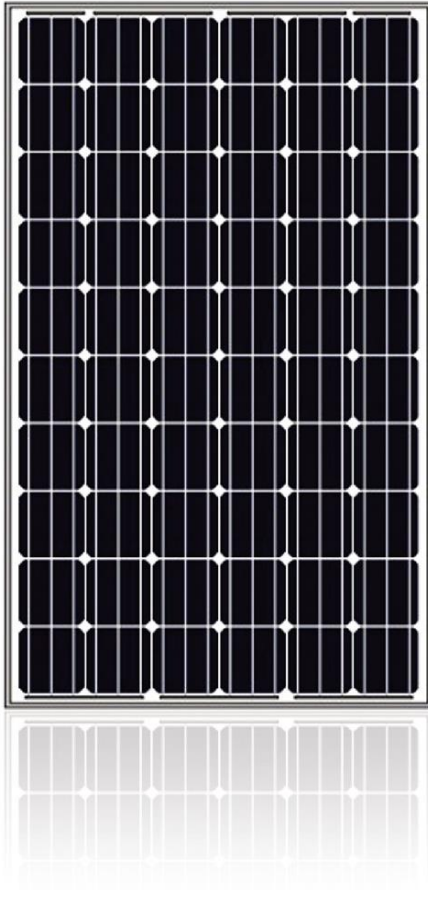
ADSTI 60M

M156×156

High Performance 60 Cell Mono crystalline
156x156mm
Solar Photovoltaic Module
245W
275W

We focus on precise production and provide Customer with best cost-effective products to create Market Value for Customer

ADSTI 60M 245W/250W/255W/260W/265W/270W/275W



Power tolerance (0~+3%) to ensure the high reliability of power output



Special PV Module Insurances by world leading insurance company guarantees the benefit of PV investors and PV module users



Junction box and bypass diodes guarantee the modules free of overheating and "hot spot effect"

Guaranteed Performance**

10 Years
Manufacturing Warranty

12 Years Warranty
90% Power Output

25 Years Warranty
80% Power Output

Free module recycling through membership in the Ceres Cycle Association

Choosing ADSTI Solar Partners

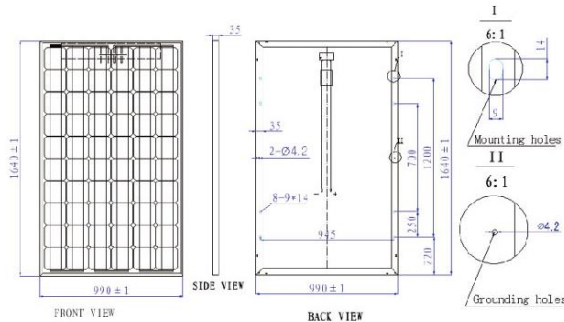
- The most vertically integrated solar manufacturer in the industry with production modules using both mono crystalline and multi crystalline technology.
- Global distribution with local warehousing, delivery and after sales services.
- Most updated design with drainage holes in the frame ensures the modules to withstand various weather conditions.
- Minimal wiring effort required as the module has high reverse current resistance.



ADSTI SOLAR ENERGY

A division of ADSTI GmbH - GERMANY

MECHANICAL DRAWINGS



MECHANICAL SPECIFICATION

Cell Type	Mono Crystalline 156×156mm
Number of cells	60(6×10)
Dimensions (A×B×C)	1640×990×35mm
Weights	19kg
Front Glass	3.2mm tempered low iron glass
Frame	Clear anodized aluminium alloy
Junction Box	IP 65, with bypass diodes
Connector	MC4 compatible
Output Cables	TUV, ± length 900mm, 4.0mm ²

ELECTRICAL CHARACTERISTICS

	245W	250W	255W	260W	265W	270W	275W
Maximum Power at STC(Pmax)	245W	250W	255W	260W	265W	270W	275W
Short Circuit Current(Isc)	8.65A	8.74A	8.85A	8.89A	9.02A	9.07A	9.21A
Open Circuit Voltage(Voc)	36.8V	37.3V	37.4V	38.0V	38.3V	37.8V	38.0V
Maximum Power Current(Imp)	8.13A	8.21A	8.32A	8.35A	8.48A	8.51A	8.63A
Maximum Power Voltage(Vmpp)	30.1V	30.5V	30.6V	31.1V	31.3V	31.7V	31.9V
Module Efficiency	15.09%	15.40%	15.71%	16.01%	16.32%	16.63%	16.94%
Power Tolerance	0~+3%	0~+3%	0~+3%	0~+3%	0~+3%	0~+3%	0~+3%



irradiance 1000W/m²



Module temperature 25 °C



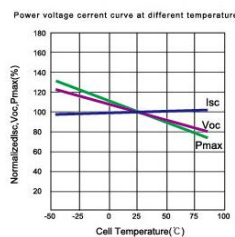
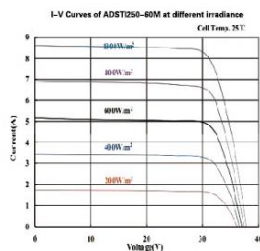
AM=1.5

TEMPERATURE CHARACTERISTICS

Nominal Operating Cell Temperature (NOCT)	45 °C ± 2 °C
Temperature Coefficient of Pmax	-0.44% / °C
Temperature Coefficient of Voc	-0.34% / °C
Temperature Coefficient of Isc	0.06% / °C

PACKING CONFIGURATION

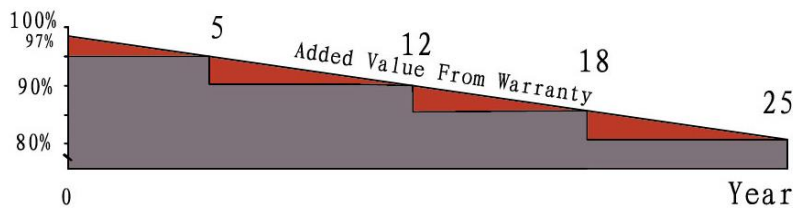
Container	20'GP	40'GP
Pieces per pallet	30	30
Pallets per container	14	28
Pieces per container	400	840



SYSTEM INTEGRATION PARAMETERS

Maximum system voltage	DC 1000V
Maximum Series Fuse	15A
Increased snowload acc. to IEC 61215	5400Pa
Operating Temperature	-40to+85 °C
Number of bypass diodes	3 or 6

INDUSTRY-LEADING WARRANTY BASED ON NOMINAL POWER



- Based on nominal power(pnom)
- 25-year transferrable power output warranty: 5 years/95%, 12 years/90% 18 years/85%, 25 years/80%
- 10-year material and workmanship